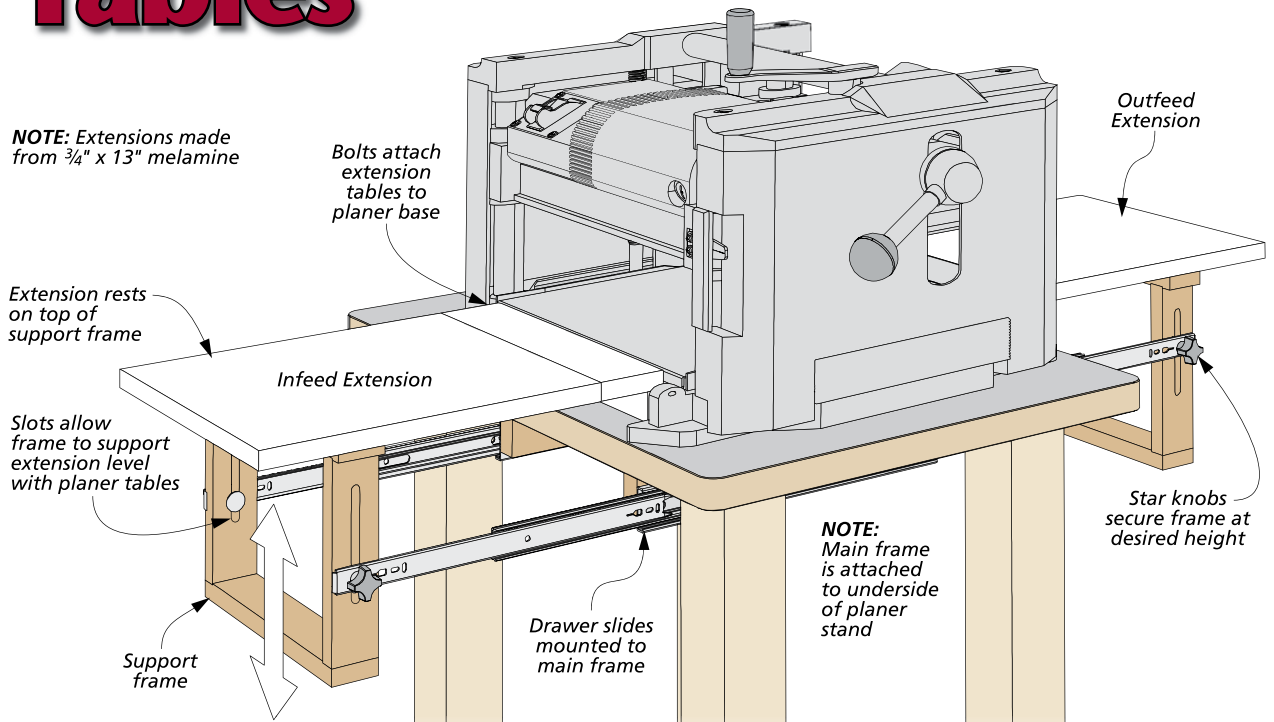
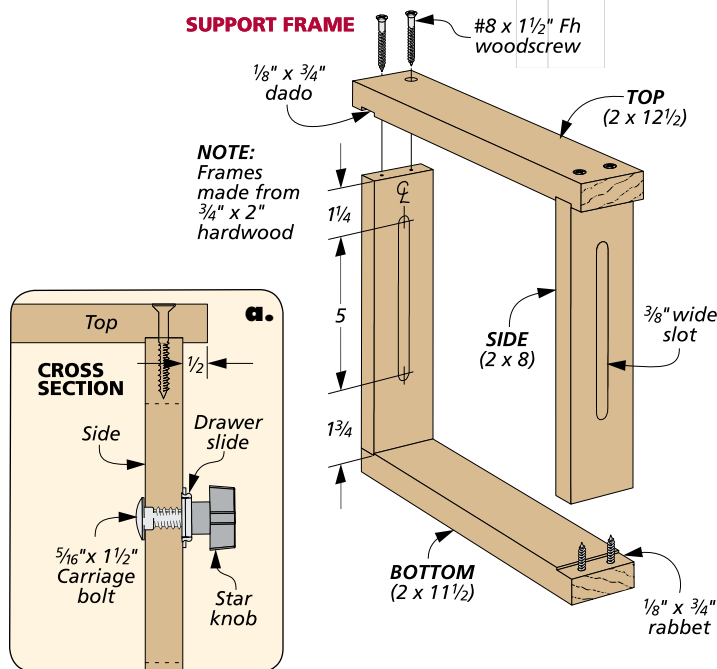


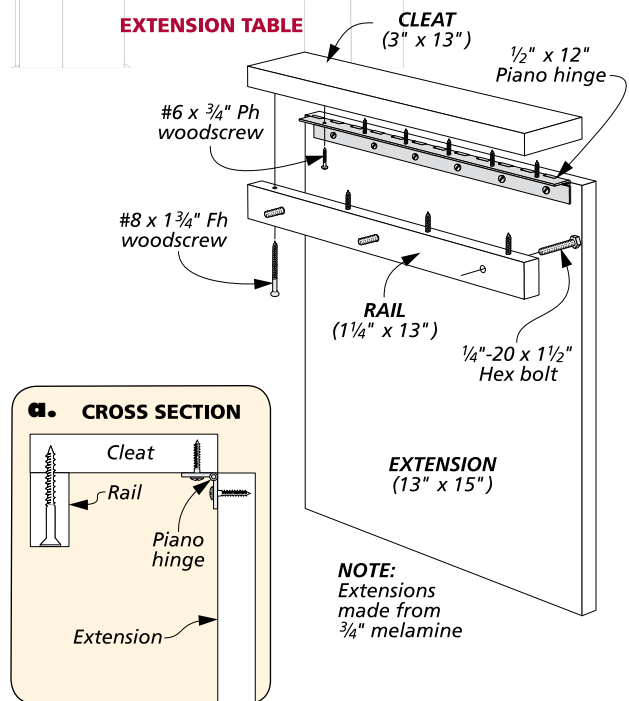
Fold-Away Extension Tables



SUPPORT FRAME



EXTENSION TABLE

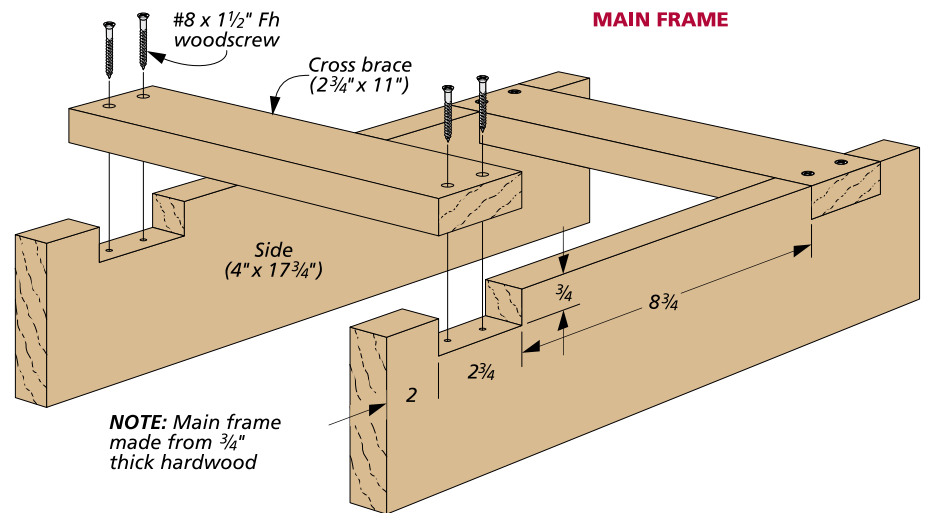


I wanted to extend the short tables on my thickness planer, and adding extensions would be a great way to increase the surface area of the planer bed for working with long boards. But I don't have room in my small shop for a large, permanent setup. So, I came up with the space-saving solution you see here.

Here's how the extensions work. Whenever I need them, I lift the hinged extension and pull out a support frame. This frame slides on a set of metal full-extension drawer slides. Next, I hold the table and frame level and then tighten the start knobs to hold everything in place.

The tables are built out of $\frac{3}{4}$ " melamine, which provides a smooth surface for the workpieces to slide along easily. To attach them, I first bolted rails to the edges of the planer beds. Perpendicular to the rails are the cleats. These cleats are level with the planer bed, and they hold the piano hinges that enable the extensions to raise and lower (see bottom right drawing on opposite page).

Adjustable frames will provide plenty of support for the extensions when they're in the up position (left drawing at bottom of opposite page). The frames aren't attached to the extensions — the



extensions simply rest on top of the frames when extended. Slots in the frame sides allow you to level the extensions.

The next step is to build the main frame. As you can see in the drawing above, the main frame consists of two sides connected together by cross braces. The cross braces not only support the sides, but also allow the frame to attach to the underside of the planer stand. The metal full-extension drawer slides are "stacked" on the frame sides. These

guides allow the support frame to move outward to support the extensions. You'll also need to drill larger holes in the ends of the slides for the carriage bolts and star knobs that allow the support frame to be adjustable.

Now, I have plenty of support while planing stock. And when the planer is not in use, just slide the frames back and lower the extension out of the way. **W**

Gordon Gaines
Oakdale, California

