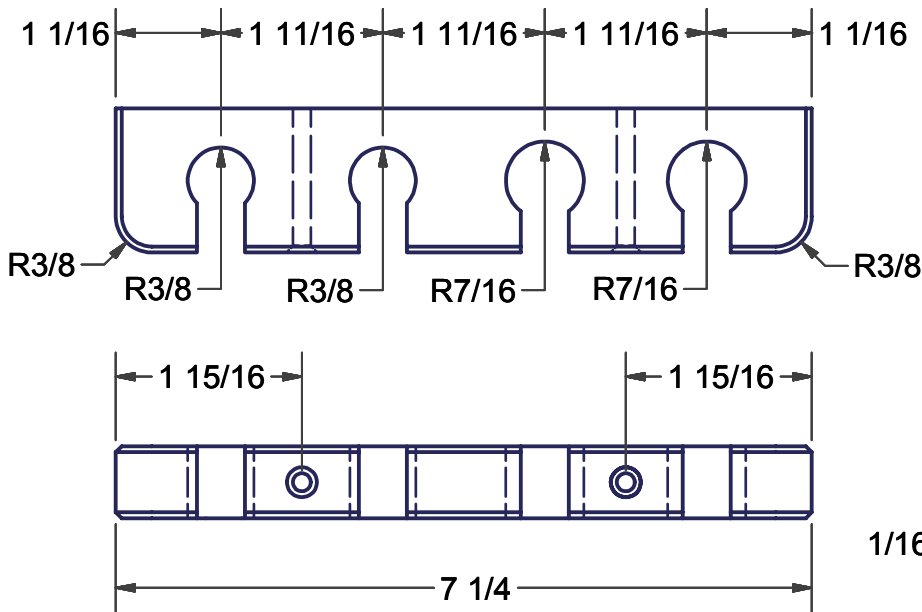
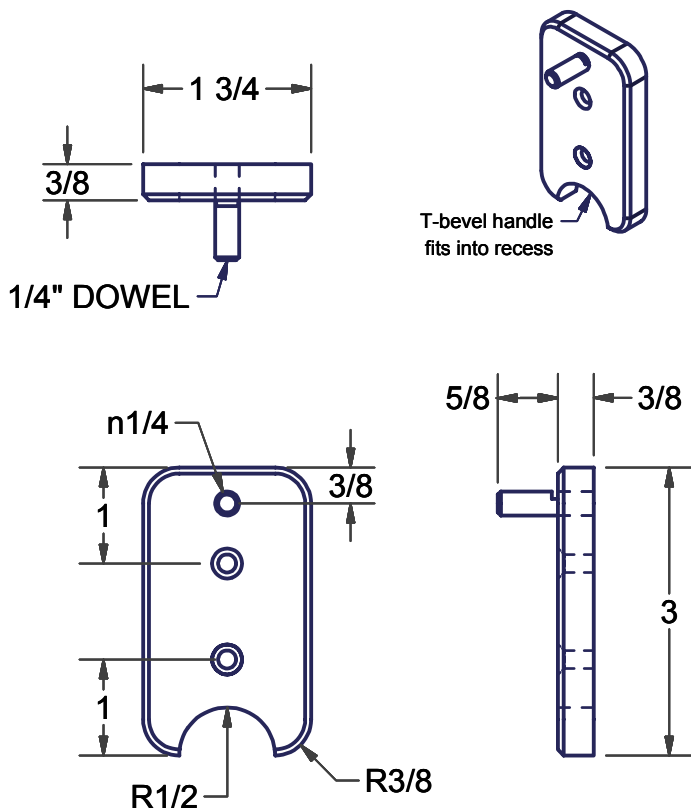


Tool Holders

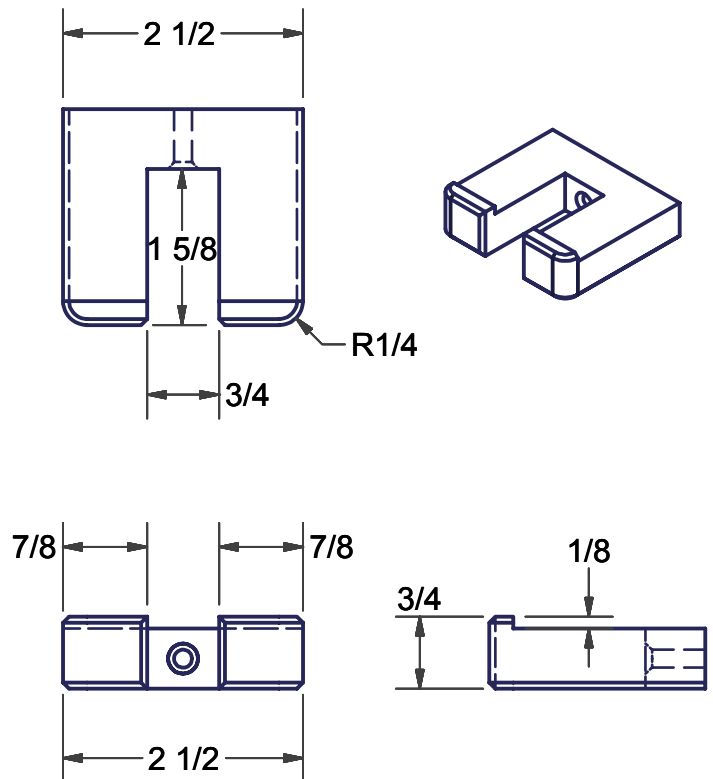
WALL CABINET - WOODSMITH No. 141
 Copyright 2002, August Home Publishing Company.
 All Rights Reserved.



Chisel Rack



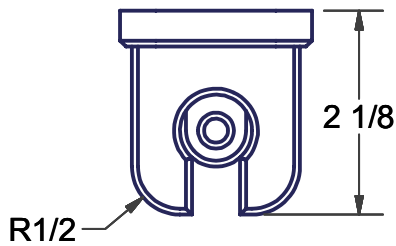
T-Bevel Holder



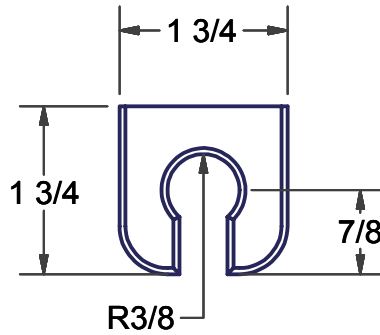
Marking Gauge Holder

Tool Holders

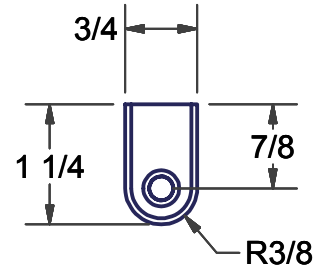
WALL CABINET - WOODSMITH No. 141
 Copyright 2002, August Home Publishing Company.
 All rights Reserved.



Top View

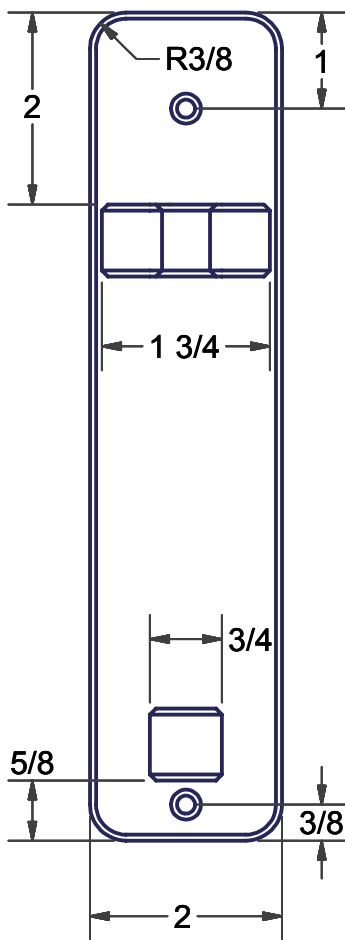


Ferrule Bracket (Detail)

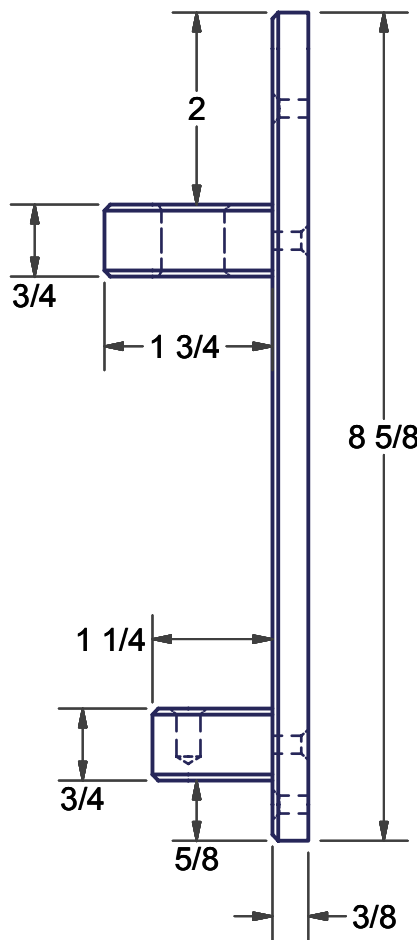


1/4" dia. hole,
 1/2" deep

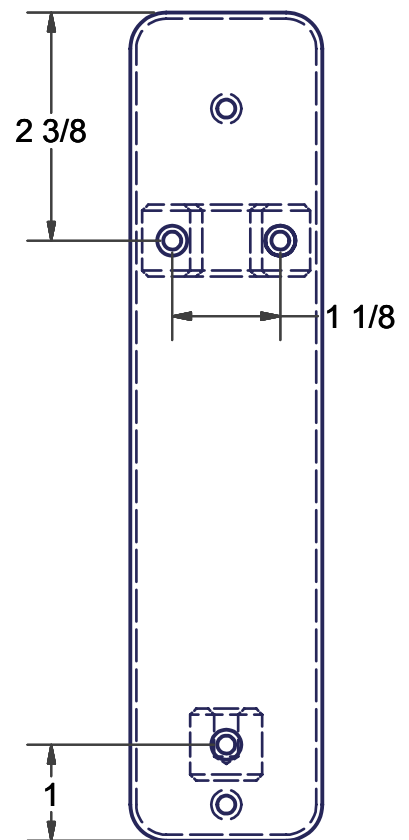
Point Guard (Detail)



Front View



Side View



Back View

Scratch Awl Holder

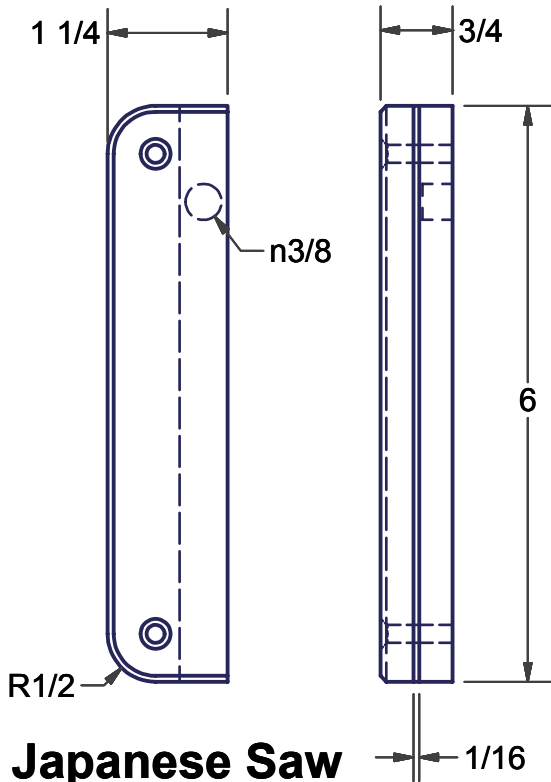
Tool Holders

WALL CABINET _ WOODSMITH No. 141

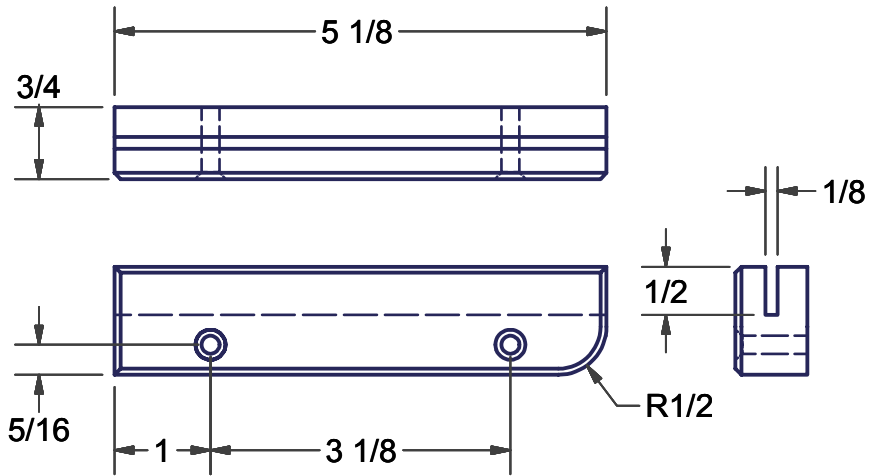
Copyright 2002, August Home Publishing Company.

All rights reserved

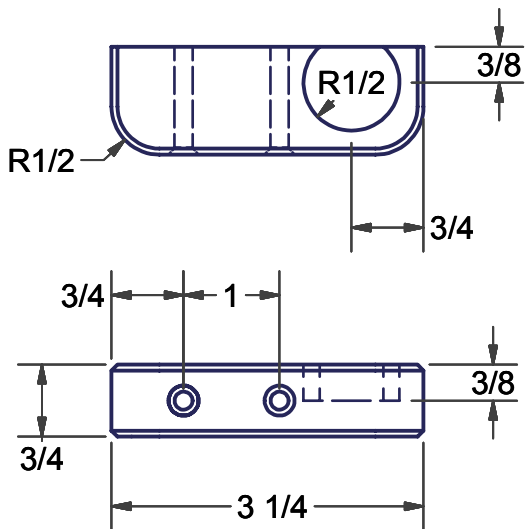
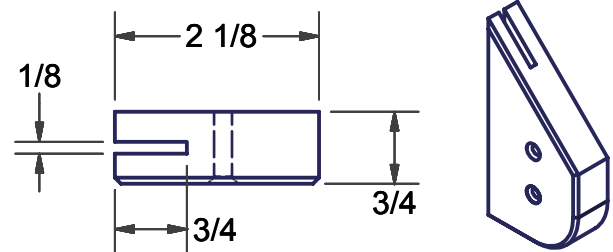
Note: A 3/8" rare earth magnet can be counterbored into the guard to hold the blade



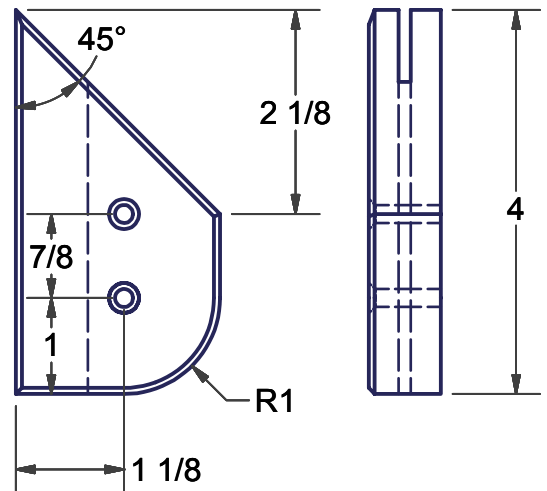
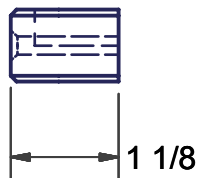
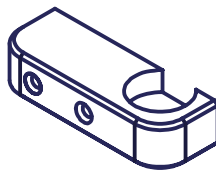
**Japanese Saw
Blade Guard**



Square Holder



**Japanese Saw
Handle Base**



**Combination Square
Holder**